

# Copeland Air-Cooled Condensing Units



With Reciprocating & Scroll Compressors  
For Cold Chain Applications

**COPELAND™**

  
**EMERSON™**

# Emerson Cold Chain Centres



Chakan



Gurgaon

## Emerson

Emerson is a global technology and engineering company providing innovative solutions for customers in industrial, commercial, and residential markets. Our Emerson Automation Solutions business helps process, hybrid, and discrete manufacturers maximize production, protect personnel and the environment while optimizing their energy and operating costs. Our Emerson Commercial and Residential Solutions business helps ensure human comfort and health, protect food quality and safety, advance energy efficiency, and create sustainable infrastructure.

## Emerson Cold Chain Centers

In keeping with our commitment of scaling up the cold chain infrastructure in the country, Emerson has developed dedicated state-of-the-art Cold Chain Centers of Excellence at Chakan, Pune and Gurgaon. These centers showcase the wide range of technology and service solutions available for the cold chain industry from Emerson. They also serve as training centers to help

contractors on product selection and technology options appropriate for various refrigeration applications. Together, these centers offer Project Design Services, Training and Education, Semi-Hermetic Services, Distribution Services and more.

## State-Of-The-Art Manufacturing Facilities

With increasing demand for locally built branded products & growing focus on Cold Chain, we have setup a world-class assembly line capable of building Condensing Units with reciprocating, semi-hermetic, & scroll technologies that are 100% factory tested & unmatched in reliability, performance and energy efficiency. The layout and the performance of the Condensing Units is optimized using CAE facilities. The components are sourced internationally and have been subjected to stringent Qualification Standards of Emerson. Their performance is validated by testing in a suitable appliances at an ambient of 46°C. Backed by Emerson's countrywide Sales and Service network we are positioned to provide prompt service to our customers.

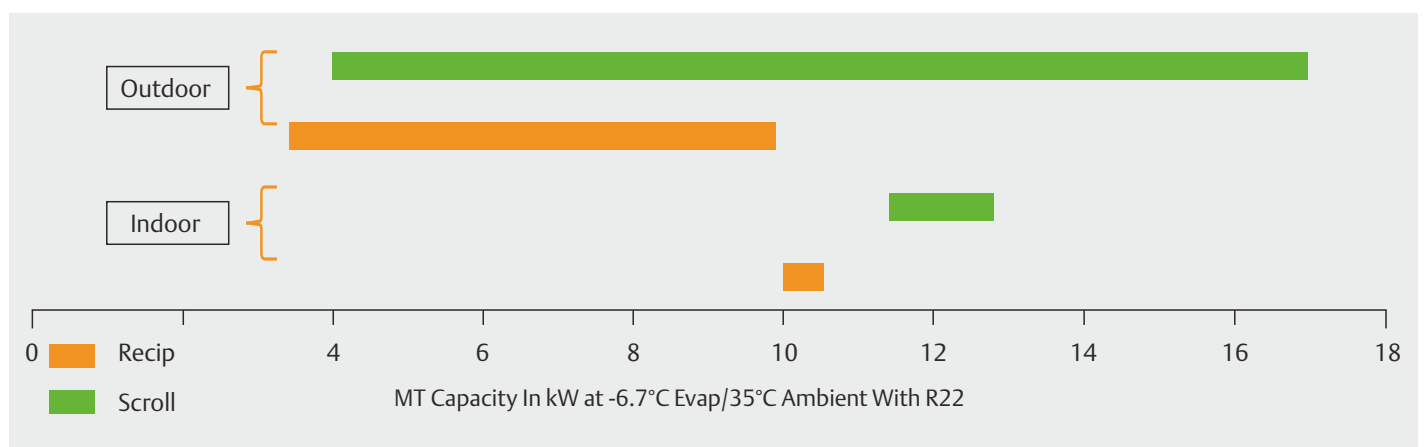


# Complete Range for Cold Chain

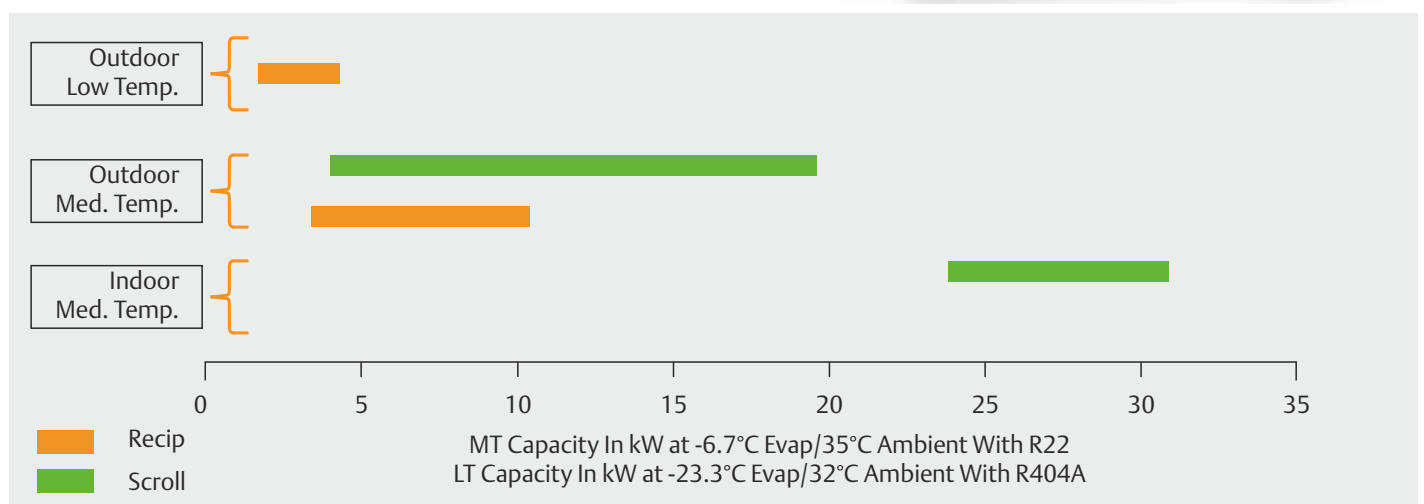
The Integral Horse Power Condensing Units provide perfect cooling, creating value for its users. These Condensing Units cater to all cold chain applications including milk-cooling, fruits & vegetable, meat / poultry cold storage, fishery and food services. Our Condensing Units have been successfully adopted in the Indian market and enjoy proven success with its robust and reliable design. These CDU's have been applied by several well known end-users in the Dairy sector and Process chilling space in India.



## Bulk Milk Cooling Tanks



## Cold Room Applications



# Choice Is Yours: Indoor & Outdoor Type Condensing Units

## Indoor



### Simple & Rugged Design

- Proven reliability of our units; running successfully even in the most demanding conditions
- Comes with a robust & silent fan suited for high ambient conditions

### Greater Serviceability

- Layout of components, tubing and electrical connections done to facilitate easy serviceability in field
- Simple design to facilitate easy handling by unskilled workers

### Option Of Weather Housing

- Weather proof housing option available with indoor units on customer requirement

## Outdoor



### Tropicalized Design

- Large condenser face area & higher CFM for elevated ambient conditions
- Designed to operate at maximum ambient of 46°C

### Compact & Sleek

- Outdoor type units are aesthetically designed to give it a sleek look. The body is powder coated to give it a smoother finish
- Much more compact in terms of design with 30% lesser footprint compared to Indoor units

### Complete Protection Against Rain & Dust

- Outdoor units come with a standard weather proof housing which can withstand extreme climatic conditions

### Silent In Operation

- Fitted with a low noise fan for quiet operations

## Features Common To Both Indoor & Outdoor Type Units

### Customized For Market

- Comes with factory installed components according to market requirements
- Customized units available for bulk milk coolers, cold room applications

### Choice of Compressor Technology/ Refrigerant

- Option to choose Scroll or Reciprocating Compressor Technology
- Models available in R134A/R22/R404A

### Wide Operating Envelope

- Robust and efficient operation from -12.2°C to 12.8°C evaporating temperature
- Wide range of applications from positive temperature Cold Rooms, Milk Chilling to Industrial Chillers

### Nationwide Network

- Supported by an extensive Sales and Service network across India





# Process Chilling & Cold Rooms



## Complete Range for Medium Temperature Applications

Available from 1 to 15HP covering various segments like Cold Rooms, Banana Ripening, Fruits / Vegetables, Pharmaceutical, Industrial Chillers in Plastic / Rubber Industry.

● 2 to 20 kW in R22 ● 3.5 to 25 kW in R404A ● 2 to 8 kW in R134A

## Optimally Sized Condenser Coil For Elevated Ambient Conditions

The Condensing Units come with large condenser face area & higher CFM for elevated ambient conditions. Our units are factory tested to work at a maximum ambient of 46°C.

## Best-In-Class Efficiency & Reliability

Highest efficiency compressors from Copeland; reciprocating/scroll compressors which are designed to handle tropicalized ambient conditions

## Silent Operation

With its optimized discharge loop, improved shell design and unique suspension design, the compressors are silent in operation. Condensing Units come with a low noise fan for minimizing the sound. The Condensing Unit structure is reinforced to prevent sound leakage.



Reciprocating Models											
R404A, 1-Phase											
Model	Type		Ambient Temp (°C)	Evaporating Temp (°C)							
				-17.8	-12.2	-6.7	-1.1	4.4	7.2	10.0	12.8
KHM511PQL-BX	Outdoor	Q	35	-	2700	3572	4670	5871	6486	7101	7686
			43	-	2193	2987	3924	4978	5505	6032	6559
			46	-	2009	2737	3625	4609	5118	5610	6085
		P	35	-	1320	1470	1625	1760	1820	1875	1915
			43	-	1340	1540	1720	1890	1970	2050	2120
			46	-	1358	1564	1762	1950	2042	2128	2204
KHM514PQL-BX	Outdoor	Q	35	-	3367	4480	5798	7232	7935	8653	9341
			43	-	2826	3777	4919	6178	6793	7408	8023
			46	-	2606	3496	4568	4878	6354	6934	7496
		P	35	-	1435	1920	2125	2300	2365	2420	2465
			43	-	1750	2030	2280	2500	2590	2670	2730
			46	-	1756	2060	2328	2566	2668	2754	2826
KHM519PQL-BX	Outdoor	Q	35	-	4510	5769	7233	8829	9605	10366	11098
			43	-	3807	4861	6149	7525	8199	8843	9458
			46	-	3338	4275	5417	6647	7262	7818	-
		P	35	-	2125	2355	2545	2715	2785	2840	2885
			43	-	2270	2530	2770	2970	3060	3140	3210
			46	-	2330	2620	2890	3130	3240	3340	-
KHM522PQL-BX	Outdoor	Q	35	-	5285	6545	8155	9912	10790	11640	12416
			43	-	4304	5446	6940	8521	9282	9985	10629
			46	-	4041	5124	6544	8038	8755	9414	9985
		P	35	-	2370	2670	2940	3175	3280	3360	3425
			43	-	2460	2820	3150	3440	3560	3670	3760
			46	-	2470	2850	3200	3505	3635	3750	3850

Q: Cooling Capacity (W) P: Power Input Including Fan Motor Power(W)  
Return Gas Of 18.3°C, Subcooling 0K

Reciprocating Models											
R404A, 3-Phase											
Model	Type		Ambient Temp (°C)	Evaporating Temp (°C)							
				-17.8	-12.2	-6.7	-1.1	4.4	7.2	10.0	12.8
KHM511PQL-EX	Outdoor	Q	35	-	2769	3944	5185	6283	6689	6993	7258
			43	-	2316	3208	4280	5312	5806	6162	6584
			46	-	-	2895	3901	4907	5369	5769	6170
		P	35	-	1314	1448	1584	1716	1747	1809	1830
			43	-	1314	1540	1686	1833	1891	1948	2035
			46	-	-	1545	1695	1856	1935	1995	2088
KHM514PQL-EX	Outdoor	Q	35	-	3688	5125	6619	7961	8443	9022	9711
			43	-	2987	4170	5355	6587	7159	7709	8594
			46	-	-	3732	4863	6074	6667	7238	8060
		P	35	-	1314	1448	1584	1716	1747	1809	1830
			43	-	1313	1540	1686	1833	1891	1948	2035
			46	-	-	1535	1695	1856	1935	1995	2088
KHM519PQL-EX	Outdoor	Q	35	-	4509	5769	7232	8828	9604	10350	11097
			43	-	3807	4861	6149	7525	8199	8829	9458
			46	-	3526	4509	5709	6998	7636	8274	-
		P	35	-	2125	2355	2545	2715	2785	2835	2885
			43	-	2270	2530	2770	2970	3060	3135	3210
			46	-	2324	2596	2860	3070	3168	3266	-
KHM522PQL-EX	Outdoor	Q	35	-	5285	6545	8155	9912	10790	11640	12416
			43	-	4304	5446	6940	8521	9282	9985	10629
			46	-	4041	5124	6544	8038	8755	9414	9985
		P	35	-	2370	2670	2940	3175	3280	3360	3425
			43	-	2460	2820	3150	3440	3560	3670	3760
			46	-	2470	2850	3200	3505	3635	3750	3850

Q: Cooling Capacity (W) P: Power Input Including Fan Motor Power(W)  
Return Gas Of 18.3°C, Subcooling 0K



Reciprocating Models											
R22, 1-Phase											
Model	Type		Ambient Temp (°C)	Evaporating Temp (°C)							
				-17.8	-12.2	-6.7	-1.1	4.4	7.2	10.0	12.8
KHJ513PQE-FX	Outdoor	Q	35	-	-	2109	2635	3341	3773	4274	4803
			43	-	-	1838	2328	3007	3425	3898	4427
			46	-	-	1747	2219	2890	3291	3764	4293
		P	35	-	-	1192	1273	1374	1429	1485	1541
			43	-	-	1242	1333	1434	1495	1555	1616
			46	-	-	1267	1358	1465	1525	1586	1653
KHR522PQE-BX	Outdoor	Q	35	1692	2570	3419	4296	5261	5789	6355	6972
			43	-	2091	2886	3682	4540	5018	5508	6047
			46	-	1908	2698	3485	4334	4802	5298	5840
		P	35	1197	1343	1532	1646	1744	1793	1846	1903
			43	-	1357	1558	1708	1840	1903	1970	2041
			46	-	1374	1558	1721	1861	1928	1997	2068
KHR530PQE-BX	Outdoor	Q	35	2262	3224	4255	5387	6564	7152	7738	8334
			43	-	2617	3586	4646	5729	6308	6808	7334
			46	-	2412	3393	4463	5553	6103	6646	7187
		P	35	1316	1654	1935	2155	2331	2400	2452	2483
			43	-	1671	1996	2270	2486	2561	2630	2672
			46	-	1678	2010	2296	2517	2598	2660	2698
KHR536PQE-BX	Outdoor	Q	35	2897	4091	5375	6740	8178	8926	9683	10464
			43	-	3379	4587	5847	7159	7827	8506	9200
			46	-	3091	4311	5580	6899	7577	8263	8964
		P	35	1773	2027	2247	2432	2578	2635	2682	2715
			43	-	2042	2337	2591	2803	2894	2973	3039
			46	-	2048	2358	2631	2857	2951	3032	3099

Q: Cooling Capacity (W) P: Power Input Including Fan Motor Power(W)  
Return Gas Of 18.3°C, Subcooling 0K

Reciprocating Models											
R22, 3-Phase											
Model	Type		Ambient Temp (°C)	Evaporating Temp (°C)							
				-17.8	-12.2	-6.7	-1.1	4.4	7.2	10.0	12.8
KHR522PQE-DX	Outdoor	Q	35	1846	2457	3249	4177	5186	5710	6233	6763
			43	-	1969	2696	3542	4459	4952	5399	5863
			46	-	1799	2512	3347	4257	4733	5194	5662
		P	35	1112	1216	1400	1556	1697	1754	1800	1829
			43	-	1229	1436	1630	1807	1878	1944	1991
			46	-	1243	1440	1648	1834	1912	1978	2026
KHR530PQE-DX	Outdoor	Q	35	2292	3311	4269	5259	6331	6924	7564	8274
			43	-	2729	3577	4458	5446	5967	6599	7267
			46	-	2523	3363	4244	5239	5806	6423	7113
		P	35	1363	1538	1752	1978	2201	2305	2400	2481
			43	-	1590	1856	2118	2353	2457	2540	2605
			46	-	1600	1872	2135	2367	2464	2545	2605
KHR536PQE-DX	Outdoor	Q	35	2895	4088	5372	6736	8173	8921	9677	10458
			43	-	3377	4584	5843	7154	7822	8501	9195
			46	-	3089	4308	5577	6895	7573	8258	8959
		P	35	1773	2027	2247	2432	2578	2635	2682	2715
			43	-	2042	2337	2591	2803	2894	2973	3039
			46	-	2048	2358	2631	2857	2951	3032	3099
KHR542PQE-DX	Outdoor	Q	35	3655	4810	6143	7658	9321	10186	11081	12006
			43	-	4093	5283	6619	8070	8804	9636	10418
			46	-	3767	4868	6081	7398	8048	8778	10213
		P	35	1890	2313	2599	2876	3121	3228	3317	3386
			43	-	2343	2700	3040	3347	3485	3593	3692
			46	-	2347	2725	3097	3436	3590	3719	3725
KHR553PQE-DX	Outdoor	Q	35	-	6918	8491	10390	12527	13646	14830	16076
			43	-	6059	7597	9351	11310	12343	13404	14505
			46	-	-	7314	9015	10903	11897	12919	13984
		P	35	-	3336	3604	3803	3944	4004	4036	4038
			43	-	3649	3986	4277	4505	4597	4674	4726
			46	-	-	4105	4430	4692	4800	4891	4955
KHR562PQE-DX	Outdoor	Q	35	-	7989	9866	11954	14254	15480	16751	18084
			43	-	7159	8873	10772	12871	14011	15149	16355
			46	-	-	8547	10382	12409	13484	14617	15778
		P	35	-	3970	4261	4501	4680	4745	4794	4819
			43	-	4350	4733	5067	5335	5435	5539	5613
			46	-	-	4877	5244	5547	5676	5780	5873
KHR572PQE-DX	Outdoor	Q	35	-	8225	10317	12409	15570	17150	18354	19557
			43	-	6990	9336	11681	14026	15199	16535	17870
			46	-	6579	9009	11438	13512	14548	15928	17308
		P	35	-	4144	4745	5281	5816	6084	6435	6786
			43	-	4264	4928	5592	6256	6588	7010	7432
			46	-	4282	4989	5696	6403	6756	7202	7647

Q: Cooling Capacity (W) P: Power Input Including Fan Motor Power(W)  
Return Gas Of 18.3°C, Subcooling 0K

Scroll Models											
R404A, 3-Phase											
Model	Type		Ambient Temp (°C)	Evaporating Temp (°C)							
				-15.0	-12.2	-6.7	-1.1	4.4	7.2	10.0	12.8
KHZ515PQL-EX	Outdoor	Q	35	2997	3338	4085	4905	5856	6340	6837	-
			43	2489	2793	3455	4158	4973	5388	5827	-
			46	2269	2558	3174	3842	4599	4984	5405	-
		P	35	1870	1865	1850	1845	1865	1875	1900	-
			43	2310	2290	2250	2230	2230	2230	2240	-
			46	2532	2506	2454	2416	2404	2398	2408	-
KHZ519PQL-EX	Outdoor	Q	35	3704	4099	4948	5929	7024	7613	8199	-
			43	3192	3543	4304	5153	6111	6618	7145	-
			46	2986	3315	4023	4872	5722	6213	6723	-
		P	35	1953	1965	2003	2043	2083	2103	2123	-
			43	2390	2400	2440	2480	2510	2530	2550	-
			46	2570	2586	2620	2660	2690	2710	2730	-
KHZ521PQL-EX	Outdoor	Q	35	4074	4967	5859	6750	7196	7642	8088	-
			43	3688	4596	5296	6288	6784	7280	-	-
			46	3323	4204	5085	5965	-	-	-	-
		P	35	2942	3103	3263	3424	3504	3584	3664	-
			43	3490	3607	3798	3954	4048	4131	-	-
			46	3653	3826	3999	4150	-	-	-	-
KHZ526PQL-EX	Outdoor	Q	35	5808	6985	8321	9783	10578	11390	-	-
			43	4919	5915	7027	8287	8960	9663	-	-
			46	4831	5511	6553	-	-	-	-	-
		P	35	2915	2985	3065	3153	3195	3235	-	-
			43	3560	3630	3710	3790	3840	3880	-	-
			46	3824	3900	3980	-	-	-	-	-
KHZ529PQL-EX	Outdoor	Q	35	5976	6574	7880	9341	10972	11827	12746	-
			43	4978	5476	6588	7818	9194	9926	10717	-
			46	4818	5300	6373	-	-	-	-	-
		P	35	3394	3445	3552	3655	3762	3822	3872	-
			43	4170	4230	4330	4430	4540	4580	4630	-
			46	4488	4542	4642	-	-	-	-	-
KHZ538PQL-EX	Outdoor	Q	35	7496	8286	9955	11829	13937	15079	16250	-
			43	6442	7086	8550	10160	11976	12942	13996	-
			46	6061	6705	8052	9604	11331	12268	13235	-
		P	35	4220	4280	4390	4510	4630	4690	4750	-
			43	5050	5100	5200	5350	5450	5500	5550	-
			46	5350	5400	5500	5650	5750	5800	5850	-
KHZ545PQL-EX	Outdoor	Q	35	7122	8375	11159	13620	15454	16372	18371	20370
			43	6957	7939	9542	11140	12555	14213	15660	-
			46	-	7768	8935	9444	10426	-	-	-
		P	35	5773	5656	5426	5521	5852	6097	6596	7095
			43	5777	5948	6284	6416	6780	7043	7087	-
			46	-	6058	6606	6585	7023	-	-	-

Scroll Models											
R404A, 3-Phase											
Model	Type		Ambient Temp (°C)	Evaporating Temp (°C)							
				-15.0	-12.2	-6.7	-1.1	4.4	7.2	10.0	12.8
KHZ548PQL-EX	Outdoor	Q	35	8720	9616	11409	13336	15395	16425	-	-
			43	7750	8506	10018	11611	13293	14446	-	-
			46	-	8090	9545	11000	12455	-	-	-
		P	35	5663	5799	6072	6386	6740	6917	-	-
			43	6441	6640	7039	7354	7683	7791	-	-
			46	-	6956	7401	7717	8037	-	-	-
KHZ558PQL-EX	Outdoor	Q	35	11192	12439	15120	17845	20895	22572	24167	-
			43	9033	10189	12532	14933	17568	19032	-	-
			46	8172	9311	11618	-	-	-	-	-
		P	35	6643	6718	6990	7255	7541	7657	7792	-
			43	8140	8200	8400	8650	8900	9000	-	-
			46	8764	8800	8940	-	-	-	-	-
KHZ566PQL-EX	Outdoor	Q	35	12605	13849	16690	19618	22985	24742	26498	-
			43	11375	12532	15079	17714	20789	22399	24010	-
			46	10057	11097	13352	15811	-	-	-	-
		P	35	7525	7650	7900	8150	8300	8450	8750	-
			43	8425	8550	8800	9050	9200	9350	9550	-
			46	9475	9600	9800	10000	-	-	-	-
KHZ576PQL-EX	Outdoor	Q	35	14742	16250	19618	23131	27084	29134	31330	-
			43	13249	14640	17714	20935	24449	26352	28255	-
			46	11638	12912	15665	-	-	-	-	-
		P	35	8750	8900	9250	9650	10000	10200	10400	-
			43	9825	9950	10300	10600	11000	11200	11400	-
			46	11050	11200	11500	-	-	-	-	-
KHZ595PAL-EX	Indoor	Q	35	15541	19580	23756	28166	32949	35494	38159	-
			43	-	15773	19625	23559	27726	-	-	-
			46	-	-	18477	22501	-	-	-	-
		P	35	12029	12387	12798	13262	13750	14006	14264	-
			43	-	14647	15069	15545	16047	-	-	-
			46	-	-	15713	16091	-	-	-	-
KHZ611PAL-EX	Indoor	Q	35	20560	23200	28700	35000	41900	45800	49750	-
			43	16670	19100	24100	29800	36000	39600	43200	-
			46	-	17600	22400	27900	33800	37300	-	-
		P	35	12790	13000	13300	13800	14200	14500	14760	-
			43	15060	15200	15500	15900	16300	16600	16830	-
			46	-	16000	16300	16700	17100	17400	-	-

Q: Cooling Capacity (W) P: Power Input Including Fan Motor Power(W)

Return Gas Of 18.3°C, Subcooling 0K

For Performance Data with R22, R134A or R407C, Please Get In Touch With Your Nearest Emerson representative

# Milk Cooling



## Bulk Milk Cooling - BMC

### Designed Specifically For Milk Cooling

Optimally sized condenser coil & higher air flow to achieve pull down from 35°C to 4°C within 3 hours as per IS5708 standards. Units available for full range of BMCs starting from 500 ltrs. to 5000 ltrs.

### Equipped With Complete System Protection

Our Condensing Units are equipped with complete set of controls which protect it from :

- Liquid Receiver to respond for varying load conditions
- HP/LP cutouts to maintain safe working pressure
- Accumulator to prevent liquid refrigerant from entering the compressor during light load conditions

- IP65 Junction box to withstand dusty & rainy climate
- Moisture indicator & liquid line solenoid valve

### Superior Reliability

All our Emerson Condensing Units are 100% factory tested. We are the only company to have a dedicated lab for testing BMC as per ISO 5708 and user conditions. Our units have been successfully running in dusty environments & in ever-changing climatic conditions.

### Easier To Service

Layout of components, tubing and electrical connections done to facilitate easy serviceability in field.





Reciprocating Models											
R22, 1-Phase											
Model	Type		Ambient Temp (°C)	Evaporating Temp (°C)							
				-17.8	-12.2	-6.7	-1.1	4.4	7.2	10.0	12.8
KHR522MQE-BX	Outdoor	Q	35	1712	2605	3514	4522	5728	6394	7147	7971
			43	1203	2076	2928	3865	4919	5534	6207	6939
			46	-	1886	2721	3619	4638	5218	5871	6570
		P	35	1110	1325	1464	1572	1677	1730	1790	1855
			43	1110	1340	1520	1680	1820	1900	1980	2060
			46	1147	1328	1525	1698	1856	1942	2028	2114
KHR530MQE-BX	Outdoor	Q	35	2322	3343	4506	5837	7305	8089	8901	9742
			43	1684	2650	3748	4978	6324	7056	7818	8579
			46	-	-	3502	4697	6008	6705	7431	8175
		P	35	1310	1365	1365	2030	2200	2275	2335	2390
			43	1365	1620	1900	2160	2390	2480	2570	2640
			46	-	-	1924	2202	2450	2552	2642	2724
KHR536MQE-FX	Outdoor	Q	35	2850	4060	5365	6758	8232	9001	9782	10591
			43	-	3272	4532	5838	7190	7877	8574	9285
			46	-	2974	4255	5573	6931	7626	8327	9043
		P	35	1808	2058	2277	2463	2612	2671	2721	2757
			43	-	2097	2375	2624	2839	2934	3019	3092
			46	-	2100	2398	2664	2893	2991	3079	3153

Q: Cooling Capacity (W) P: Power Input Including Fan Motor Power(W)  
Return Gas Of 18.3°C, Subcooling 0K

Reciprocating Models											
R22, 3-Phase											
Model	Type		Ambient Temp (°C)	Evaporating Temp (°C)							
				-17.8	-12.2	-6.7	-1.1	4.4	7.2	10.0	12.8
KHR522MQE-EX	Outdoor	Q	35	1739	2623	3518	4508	5688	6336	7070	7872
			43	1754	2142	2962	3869	4895	5495	6155	6872
			46	-	1959	2755	3622	4614	5181	5822	6510
		P	35	1279	1280	1445	1552	1655	1707	1764	1827
			43	1289	1291	1496	1659	1797	1874	1950	2025
			46	-	1309	1500	1677	1833	1916	1997	2078
KHR530MQE-EX	Outdoor	Q	35	2322	3367	4512	5819	7254	8017	8805	9620
			43	1754	2735	3791	4982	6293	7007	7751	8496
			46	0	0	3546	4700	5977	6658	7370	8099
		P	35	1365	1344	1347	2004	2171	2244	2302	2354
			43	1365	1582	1870	2133	2360	2446	2531	2595
			46	0	0	1892	2175	2420	2518	2602	2677
KHR536MQE-DX	Outdoor	Q	35	2895	4088	5372	6736	8173	8921	9677	10458
			43	-	3377	4584	5843	7154	7822	8501	9195
			46	-	3089	4308	5577	6895	7573	8258	8959
		P	35	1773	2027	2247	2432	2578	2635	2682	2715
			43	-	2042	2337	2591	2803	2894	2973	3039
			46	-	2048	2358	2631	2857	2951	3032	3099
KHR542MQE-DX	Outdoor	Q	35	3654	4809	6141	7655	9318	10182	11078	12002
			43	-	4092	5281	6617	8067	8801	9633	10415
			46	-	3765	4866	6079	7396	8045	8775	10210
		P	35	1890	2313	2599	2876	3121	3228	3317	3386
			43	-	2343	2700	3040	3347	3485	3593	3692
			46	-	2347	2725	3097	3436	3590	3719	3725
KHR553MQE-DX	Outdoor	Q	35	-	6918	8491	10390	12527	13646	14830	16076
			43	-	6059	7597	9351	11310	12343	13404	14505
			46	-	-	7314	9015	10903	11897	12919	13984
		P	35	-	3336	3604	3803	3944	4004	4036	4038
			43	-	3649	3986	4277	4505	4597	4674	4726
			46	-	-	4105	4430	4692	4800	4891	4955
KHR562MQE-DX	Outdoor	Q	35	-	7989	9866	11954	14254	15480	16751	18084
			43	-	7159	8873	10772	12871	14011	15149	16355
			46	-	-	8547	10382	12409	13484	14617	15778
		P	35	-	3970	4261	4501	4680	4745	4794	4819
			43	-	4350	4733	5067	5335	5435	5539	5613
			46	-	-	4877	5244	5547	5676	5780	5873
KHR572MAE-DX	Indoor	Q	35	-	-	10168	13367	16011	17519	19189	21316
			43	-	-	8490	11577	13925	15213	16543	18361
			46	-	-	-	10659	12824	14037	15408	17058
		P	35	-	-	5010	5388	6097	6480	6852	7156
			43	-	-	5152	5562	6293	6688	7068	7380
			46	-	-	-	5622	6361	6757	7131	7446

Q: Cooling Capacity (W) P: Power Input Including Fan Motor Power(W)  
Return Gas Of 18.3°C, Subcooling 0K

Scroll Models											
R22, 1-Phase											
Model	Type		Ambient Temp (°C)	Evaporating Temp (°C)							
				-15.0	-12.2	-6.7	-1.1	4.4	7.2	10.0	12.8
KHZ515MQE-FX	Outdoor	Q	35	-	3530	4388	5342	6439	7059	7727	8442
			43	-	3211	4006	4897	5914	6486	7122	7790
			46	-	3078	3854	4706	5704	6257	6874	7523
		P	35	-	1560	1580	1610	1645	1665	1685	1695
			43	-	1820	1830	1860	1900	1920	1930	1950
			46	-	1946	1956	1986	2020	2040	2056	2070
KHZ519MQE-FX	Outdoor	Q	35	-	4026	5013	6111	7352	8068	8816	9628
			43	-	3692	4583	5602	6747	7416	8116	8880
			46	-	3520	4411	5391	6499	7129	7811	8555
		P	35	-	1670	1690	1730	1780	1800	1830	1850
			43	-	1941	1949	1996	2046	2066	2092	2112
			46	-	2042	2054	2096	2146	2166	2190	2210
KHZ521MQE-FX	Outdoor	Q	35	-	3508	4575	5659	6845	8197	8958	9781
			43	-	3225	4202	5196	6275	7508	8198	8953
			46	-	-	4045	5025	6094	7321	8014	8771
		P	35	-	2412	2472	2533	2619	2715	2760	2804
			43	-	2786	2864	2943	3046	3153	3206	3253
			46	-	-	3045	3108	3193	3281	3321	3358
KHZ529MQE-FX	Outdoor	Q	35	-	6418	8118	9818	11723	12778	13951	15240
			43	-	5363	7063	8763	10463	11430	12515	13687
			46	-	-	6747	8447	10059	10991	-	-
		P	35	-	2790	2910	3025	3145	3205	3270	3330
			43	-	3230	3350	3470	3600	3670	3740	3810
			46	-	-	3554	3674	3816	3892	-	-

Q: Cooling Capacity (W) P: Power Input Including Fan Motor Power(W)  
Return Gas Of 18.3°C, Subcooling 0K

Scroll Models											
R22, 3-Phase											
Model	Type		Ambient Temp (°C)	Evaporating Temp (°C)							
				-15.0	-12.2	-6.7	-1.1	4.4	7.2	10.0	12.8
KHZ515MQE-EX	Outdoor	Q	35	-	3253	4045	4924	5935	6506	7122	7781
			43	-	2960	3693	4513	5451	5979	6565	7181
			46	-	2858	3576	4367	5290	5803	6375	6975
		P	35	-	1560	1580	1610	1645	1665	1685	1695
			43	-	1820	1830	1860	1900	1920	1930	1950
			46	-	1925	1935	1965	2000	2020	2035	2050
KHZ521MQE-EX	Outdoor	Q	35	-	4074	5421	6795	8144	8886	9682	10533
			43	-	3484	4903	6132	7339	8008	8726	9499
			46	-	-	4708	5883	7139	7808	8531	9311
		P	35	-	2241	2360	2481	2599	2657	2711	2759
			43	-	2605	2769	2936	3073	3140	3203	3259
			46	-	-	2922	3106	3202	3260	3312	3358
KHZ526MQE-EX	Outdoor	Q	35	-	-	6632	7993	9589	10497	11405	12053
			43	-	-	6090	7291	8726	9546	10336	-
			46	-	-	5710	-	-	-	-	-
		P	35	-	-	2635	2745	2875	2935	2995	3037
			43	-	-	3180	3280	3410	3470	3530	-
			46	-	-	3640	-	-	-	-	-
KHZ529MQE-EX	Outdoor	Q	35	-	5864	7906	9985	11405	12445	13601	14860
			43	-	-	9207	9785	11098	12122	13264	14494
			46	-	-	-	8439	10049	10981	12011	13165
		P	35	-	2797	2910	3025	3145	3205	3270	3330
			43	-	-	3337	3470	3600	3670	3740	3810
			46	-	-	-	3674	3816	3892	3968	4038
KHZ538MQE-EX	Outdoor	Q	35	-	7439	9408	11413	13666	14906	16232	17650
			43	-	-	8234	10317	12362	13496	14712	16021
			46	-	-	-	-	11904	12996	14170	15434
		P	35	-	3480	3649	3821	4017	4114	4206	4289
			43	-	-	4324	4537	4746	4849	4948	5037
			46	-	-	-	-	5027	5134	5237	5329

Scroll Models											
R22, 3-Phase											
Model	Type		Ambient Temp (°C)	Evaporating Temp (°C)							
				-15.0	-12.2	-6.7	-1.1	4.4	7.2	10.0	12.8
KHZ545MQE-EX	Outdoor	Q	35	-	8443	10334	12400	14731	15902	17074	18224
			43	-	7467	9194	11068	13147	-	-	-
			46	-	7110	8736	10523	12515	-	-	-
		P	35	-	4390	4635	4875	5115	5230	5345	5427
			43	-	5200	5500	5750	6000	-	-	-
			46	-	5590	5860	6110	6360	-	-	-
KHZ548MAE-EX	Indoor	Q	35	-	10445	12832	15466	18257	19710	21172	22645
			43	-	-	-	13878	16470	17818	19192	20580
			46	-	-	-	13322	15832	17144	18480	19836
		P	35	-	5530	5645	5770	5900	5950	6000	6050
			43	-	-	-	6730	6845	6900	6950	6990
			46	-	-	-	7090	7200	7250	7290	7330

Q: Cooling Capacity (W)    P: Power Input Including Fan Motor Power(W)  
 Return Gas Of 18.3°C, Subcooling 0K



# Frozen Food Applications



## Outdoor Type - Frozen Foods

Available In R404A For Frozen Food Applications;  
Evaporating Range From -37.2 to -6.7°C

Reciprocating Models									
R404A, 1-Phase									
Model	Type		Ambient Temp (°C)	Evaporating Temp (°C)					
				-37.2	-31.7	-23.3	-17.8	-12.2	-6.7
KHM475LQL-CX	Outdoor	Q	32	-	-	-	-	-	-
			35	380	730	1227	1428	1810	2406
			43	-	889	1102	1405	1871	
			46	-	-	825	865	1074	1433
		P	32	-	-	-	-	-	-
			35	947	1149	1346	1423	1623	2018
			43	-	1171	1383	1423	1753	2026
			46	-	-	1519	1715	1819	2088

Q: Cooling Capacity (W)    P: Power Input Including Fan Motor Power(W)  
Return Gas Of 4°C, Subcooling 0K

Reciprocating Models									
R404A, 3-Phase									
Model	Type		Ambient Temp (°C)	Evaporating Temp (°C)					
				-37.2	-31.7	-23.3	-17.8	-12.2	-6.7
KHM475LQL-EX	Outdoor	Q	32	-	-	-	-	-	-
			35	380	730	1227	1428	1810	2406
			43	-	589	889	1102	1405	1871
			46	-	-	825	865	1074	1433
		P	32	-	-	-	-	-	-
			35	947	1149	1346	1423	1623	2026
			43	-	1171	1383	1303	1753	2088
			46	-	-	1519	1715	1819	2018
KHM512LQL-EX	Outdoor	Q	32	-	-	-	-	-	-
			35	726	1236	2125	2667	3442	5039
			43	710	1047	1308	1967	2757	3939
			46	-	-	1286	1702	2207	3025
		P	32	-	-	-	-	-	-
			35	1440	1858	2307	2500	2896	3711
			43	1681	1977	2388	2696	3145	3800
			46	-	-	2670	2992	3314	3902
KHM515LQL-EX	Outdoor	Q	32	-	-	-	-	-	-
			35	757	1289	2484	3003	3814	5116
			43	735	1282	1702	2212	2891	3826
			46	-	-	1270	1701	2213	2877
		P	32	-	-	-	-	-	-
			35	1489	1954	2461	2682	3119	3958
			43	1715	2090	2511	2867	3368	4068
			46	-	-	2714	3117	3508	4175
KHM517LQL-EX	Outdoor	Q	32	1656	2559	3945	4848	5760	6663
			35	1509	2336	3605	4432	5267	6093
			43	1100	1713	2653	3266	3885	4498
			46	925	1446	2245	2766	3293	3814
		P	32	2005	2416	2793	3039	3290	3536
			35	2038	2426	2878	3173	3920	3769
			43	2130	2448	3077	3487	3474	4312
			46	2170	2456	3148	3599	4055	4506
KHM520LQL-EX	Outdoor	Q	32	1097	2894	4618	5741	6875	7998
			35	1850	2710	4031	4891	5760	6620
			43	1499	2195	2785	3429	4079	4722
			46	-	-	-	-	-	-
		P	32	2111	2595	3301	3992	4226	4684
			35	2123	2614	3368	4107	4355	4846
			43	2157	2621	3392	4148	4401	4904
			46	-	-	-	-	-	-

Q: Cooling Capacity (W) P: Power Input Including Fan Motor Power(W)  
Return Gas Of 4°C, Subcooling 0K

# Food Service Applications



Reciprocating Models											
R134A, 1-Phase											
Model	Type		Ambient Temp (°C)	Evaporating Temp (°C)							
				-17.8	-12.2	-6.7	-1.1	4.4	7.2	10.0	12.8
KFJ467HAG-BX	Indoor	Q	35	494	689	900	1140	1417	1569	1730	1900
			43	419	586	769	982	1231	1371	1516	1672
			46	394	551	724	926	1166	1301	1442	1591
		P	35	320	465	540	585	650	700	775	875
			43	325	480	560	615	680	735	810	915
			46	330	485	570	625	695	750	825	930
KFJ498HAG-CX	Indoor	Q	35	983	1091	1303	1595	1978	2199	2428	2673
			43	865	937	1115	1375	1722	1921	2139	-
			46	-	2130	1074	1359	1717	1892	-	-
		P	35	586	665	742	829	929	988	1057	1134
			43	609	692	775	868	978	1043	1115	-
			46	-	701	785	880	991	1057	-	-

Q: Cooling Capacity (W) P: Power Input Including Fan Motor Power(W)  
Return Gas Of 18.3°C, Subcooling 0K

Reciprocating Models											
R22, 1-Phase											
Model	Type		Ambient Temp (°C)	Evaporating Temp (°C)							
				-17.8	-12.2	-6.7	-1.1	4.4	7.2	10.0	12.8
KFE461HAE-BX	Indoor	Q	35	-	-	913	1157	1447	1603	1758	1922
			43	-	-	794	993	1257	1411	1570	1743
			46	-	-	762	946	1204	1357	1521	1696
		P	35	-	-	590	620	695	740	795	850
			43	-	-	615	650	730	780	830	885
			46	-	-	620	665	740	790	840	895
KFJ511HAE-BX	Indoor	Q	35	-	-	1598	1845	2514	2909	3294	3628
			43	-	-	1354	1548	2167	2534	2891	3196
			46	-	-	1289	1460	2062	2420	2764	3056
		P	35	-	-	884	886	989	1063	1141	1219
			43	-	-	921	939	1048	1121	1197	1271
			46	-	-	932	954	1065	1139	1215	1288

Q: Cooling Capacity (W) P: Power Input Including Fan Motor Power(W)  
Return Gas Of 18.3°C, Subcooling 0K

## Indoor Type - High Med. Temp.

Reciprocating Models											
R134A, 1-Phase											
Model	Type		Ambient Temp (°C)	Evaporating Temp (°C)							
				-17.8	-12.2	-6.7	-1.1	4.4	7.2	10.0	12.8
KFE419HAG-BX	Indoor	Q	35	170	216	260	314	393	444	505	577
			43	138	184	223	270	337	-	-	-
			46	130	175	211	-	-	-	-	-
		P	35	150	155	170	195	225	240	260	275
			43	160	160	175	200	235	-	-	-
			46	165	170	180	-	-	-	-	-
KFZ421HAG-BX	Indoor	Q	35	169	226	310	420	560	646	740	847
			43	140	220	307	398	529	559	-	-
			46	-	191	256	-	-	-	-	-
		P	35	152	173	188	202	217	225	236	246
			43	163	181	195	209	229	240	-	-
			46	-	189	199	-	-	-	-	-
KFZ431HAG-BX	Indoor	Q	35	280	359	449	554	680	752	830	-
			43	249	322	404	500	615	680	752	-
			46	309	388	479	589	650	721	-	-
		P	35	178	200	214	226	239	249	261	-
			43	189	212	229	245	264	277	292	-
			46	-	214	232	249	269	283	300	-
KFE432HAG-BX	Indoor	Q	35	-	-	536	662	844	990	1161	1377
			43	-	-	457	569	748	875	1038	1246
			46	-	-	432	539	714	839	1000	1205
		P	35	-	-	662	683	708	718	729	740
			43	-	-	675	700	727	741	756	769
			46	-	-	682	707	709	737	764	778
KFZ444HAG-BX	Indoor	Q	35	359	471	595	728	893	984	1084	1194
			43	313	422	518	632	808	921	1022	1131
			46	288	398	492	605	766	873	1000	1149
		P	35	305	316	338	373	419	432	448	471
			43	313	331	354	399	444	452	478	500
			46	307	342	372	408	458	468	491	515
KFE444HAG-BX	Indoor	Q	35	394	497	601	738	943	1075	1231	1411
			43	314	422	519	633	809	921	1056	1213
			46	289	398	492	605	766	873	1001	1150
		P	35	310	335	365	400	440	470	495	525
			43	315	340	375	415	465	495	530	565
			46	320	345	380	420	475	505	540	575
KFN463HAG-BX	Indoor	Q	35	-	-	894	1080	1316	1458	1619	1800
			43	-	-	817	993	1197	1317	1449	1600
			46	-	-	791	962	1154	1266	1389	1529
		P	35	-	-	535	560	605	625	645	650
			43	-	-	555	590	640	660	675	680
			46	-	-	565	600	650	670	680	685

## Indoor Type - Low Temp.

Reciprocating Models									
R134A, 1-Phase									
Model	Type		Ambient Temp (°C)	Evaporating Temp (°C)					
				-35.0	-28.9	-23.3	-17.7	-12.2	-6.7
KFN372LAG-BX	Indoor	Q	32	106	149	205	275	357	451
			35	102	138	199	269	351	443
			43	87	120	179	252	333	422
		P	32	142	155	179	210	230	260
			35	146	160	181	211	234	265
			43	149	163	184	215	245	280
KFZ380LAG-BX	Indoor	Q	32	137	171	220	283	361	456
			35	136	164	218	281	362	458
			43	-	132	186	256	340	442
		P	32	121	144	174	192	209	237
			35	148	153	175	193	210	237
			43	-	162	178	195	217	248
KFN396LAG-BX	Indoor	Q	32	102	177	247	316	383	445
			35	99	172	239	305	369	428
			43	91	144	198	252	305	357
		P	32	154	171	191	215	241	269
			35	153	172	193	217	244	273
			43	152	175	200	226	255	286
KFZ396LAG-BX	Indoor	Q	32	-	189	243	320	389	442
			35	-	169	236	324	395	441
			43	-	130	203	282	346	398
		P	32	-	153	169	188	215	248
			35	-	157	177	191	217	252
			43	-	167	180	194	221	256
KFN415LAG-BX	Indoor	Q	32	176	299	431	567	708	858
			35	161	280	407	539	676	823
			43	123	231	344	464	590	730
		P	32	275	325	365	400	430	470
			35	278	326	368	404	438	480
			43	285	330	375	415	460	505
KFZ416LAG-BX	Indoor	Q	32	242	316	422	552	679	840
			35	248	308	407	528	660	806
			43	-	270	359	461	583	711
		P	32	291	292	319	351	382	445
			35	286	343	320	354	385	457
			43	-	348	324	358	399	474

Q: Cooling Capacity (W) P: Power Input Including Fan Motor Power(W)  
Return Gas Of 18.3°C, Subcooling 0K



# Scope Of Supply-Indoor Type

## A. Medium Temperature Applications (Process Chilling & Cold Rooms)

Scroll	KHZ595PAL-EX*	KHZ611PAL-EX
Filter Drier	✓	✓
Fan with Grill	✓	✓
HP/LP	✓	✓
Electrical Box	✓	✓
Front Grill		
Moisture Indicator	✓	✓
Solenoid Valve	✓	✓
Receiver	✓	✓
Full Canopy		
Rear Grill		
Service Valves		
Accumulator		

\* Full Canopy is a standard for KHZ595PAL-EX

## B. Milk Cooling

Reciprocating	KHR572MAE-DX
Filter Drier	✓
Fan with Grill	✓
HP/LP	✓
Electrical Box	✓
Front Grill	✓
Moisture Indicator	✓
Solenoid Valve	✓
Receiver	✓
Full Canopy	✓
Rear Grill	✓
Service Valves	
Accumulator	✓
Mounting Frame	✓

Scroll	KHZ548MAE-EX
Filter Drier	✓
Fan with Grill	✓
HP/LP	✓
Electrical Box	✓
Front Grill	✓
Moisture Indicator	✓
Solenoid Valve	✓
Receiver	✓
Full Canopy	✓
Rear Grill	✓
Service Valves	
Accumulator	
Mounting Frame	✓

## Scope Of Supply-Outdoor Type

### A. Medium Temperature Applications (Process Chilling & Cold Rooms)

Reciprocating	KHM511PQL-EX KHM511PQL-BX	KHM514PQL-EX KHM514PQL-BX	KHM519PQL-EX KHM519PQL-BX	KHM522PQL-EX	KHJ513PQE-FX	KHR522PQE-BX KHR522PQE-DX	KHR530PQE-BX KHR530PQE-DX	KHR536PQE-BX KHR536PQE-DX	KHR542PQE-DX	KHR553PQE-DX	KHR562PQE-DX	KHR572PQE-DX
Filter Drier	✓	✓	✓	✓	✓	✓	✓	✓	✓	✓	✓	✓
Fan with Grill	✓	✓	✓	✓	✓	✓	✓	✓	✓	✓	✓	✓
HP/LP	✓	✓	✓	✓	✓	✓	✓	✓	✓	✓	✓	✓
Moisture Indicator												
Solenoid Valve												
Receiver												
Service Valves	✓	✓	✓	✓	✓	✓	✓	✓	✓	✓	✓	✓
Accumulator												✓

Scroll	KHZ515PQL-EX	KHZ519PQL-EX	KHZ521PQL-EX	KHZ526PQL-EX	KHZ529PQL-EX	KHZ538PQL-EX	KHZ545PQL-EX	KHZ548PQL-EX	KHZ558PQL-EX	KHZ566PQL-EX	KHZ576PQL-EX
Filter Drier	✓	✓	✓	✓	✓	✓	✓	✓	✓	✓	✓
Fan with Grill	✓	✓	✓	✓	✓	✓	✓	✓	✓	✓	✓
HP/LP	✓	✓	✓	✓	✓	✓	✓	✓	✓	✓	✓
Moisture Indicator									✓	✓	✓
Solenoid Valve									✓	✓	✓
Receiver									✓	✓	✓
Service Valves	✓	✓	✓	✓	✓	✓	✓	✓	✓	✓	✓
Accumulator											

## B. Milk Cooling Applications

Reciprocating	KHR522MQE-BX KHR522MQE-EX	KHR530MQE-BX KHR530MQE-EX	KHR536MQE-FX KHR536MQE-DX	KHR542MQE-FX KHR542MQE-DX	KHR553MQE-DX	KHR562MQE-DX
Filter Drier	✓	✓	✓	✓	✓	✓
Fan with Grill	✓	✓	✓	✓	✓	✓
HP/LP	✓	✓	✓	✓	✓	✓
Moisture Indicator	✓	✓	✓	✓	✓	✓
Solenoid Valve	✓	✓	✓	✓	✓	✓
Receiver	✓	✓	✓	✓	✓	✓
Service Valves	✓	✓	✓	✓	✓	✓
Accumulator						
Mounting Frame	✓	✓	✓	✓	✓	✓

Scroll	KHZ515MQE-FX KHZ515MQE-EX	KHZ519MQE-FX	KHZ521MQE-FX KHZ521MQE-EX	KHZ526MQE-FX	KHZ529MQE-FX	KHZ529MQE-EX	KHZ538MQE-FX	KHZ545MQE-FX	KHZ558MQE-FX	KHZ566MQE-FX
Filter Drier	✓	✓	✓	✓	✓	✓	✓	✓	✓	✓
Fan with Grill	✓	✓	✓	✓	✓	✓	✓	✓	✓	✓
HP/LP	✓	✓	✓	✓	✓	✓	✓	✓	✓	✓
Moisture Indicator	✓	✓	✓	✓	✓	✓	✓	✓	✓	✓
Solenoid Valve	✓	✓	✓	✓	✓	✓	✓	✓	✓	✓
Receiver	✓	✓	✓	✓	✓	✓	✓	✓	✓	✓
Service Valves	✓	✓	✓	✓	✓	✓	✓	✓	✓	✓
Accumulator										
Mounting Frame	✓	✓	✓	✓	✓	✓	✓	✓		

### C. Low Temperature Applications

Reciprocating	KHM475LQL-CX KHM475LQL-EX	KHM512LQL-EX	KHM515LQL-EX	KHM517LQL-EX	KHM520LQL-EX
Filter Drier	✓	✓	✓	✓	✓
Fan with Grill	✓	✓	✓	✓	✓
HP/LP	✓	✓	✓	✓	✓
Moisture Indicator	✓	✓	✓	✓	✓
Solenoid Valve					
Receiver		✓	✓	✓	✓
Service Valves	✓	✓	✓	✓	✓
Accumulator	✓	✓	✓	✓	✓
Mounting Frame					

# Technical Data - Indoor Type

## A. Medium Temperature Applications (Process Chilling & Cold Rooms)

### Scroll

Model	Compressor	Dimensions (L X W X H) in mm	Air Flow (CFM)	No Of Fans/ Power	Net Weight (kg)	Liquid Line Connection Size (in)	Suction Line Connection Size (in)	Compressor MCC (A)	Compressor LRA (A)
KHZ595PAL-EX	ZB95KQE-TFD-551	1360 X 820 X 890	6200	2/520W	200	5/8"	1 1/8"	37	140
KHZ611PAL-EX	ZB114KQE-TFD-551	1820X 1350 X 1109	9500	2/550W	180	5/8"	1 1/8"	39	174

## B. Milk Cooling

### Reciprocating

Model	Compressor	Dimensions (L X W X H) in mm	Air Flow (CFM)	No Of Fans/ Power	Net Weight (kg)	Liquid Line Connection Size (in)	Suction Line Connection Size (in)	Compressor MCC (A)	Compressor LRA (A)
KHR572MAE-DX	CR72KQM-TFM-233DM	1200 X 765 X 690	3400	2/180W	145	1/2"	7/8"	19.5	69

### Scroll

Model	Compressor	Dimensions (L X W X H) in mm	Air Flow (CFM)	No Of Fans/ Power	Net Weight (kg)	Liquid Line Connection Size (in)	Suction Line Connection Size (in)	Compressor MCC (A)	Compressor LRA (A)
KHZ548MAE-EX	ZB48KQE-TFD-524	1348 X 785 X 742	4300	2/180W	151	1/2"	7/8"	19.1	101



# Technical Data - Outdoor Type

## A. Medium Temperature Applications (Process Chilling & Cold Rooms)

### Reciprocating

Model	Compressor	Dimensions (L X W X H) in mm	Air Flow (CFM)	No Of Fans/ Power Input (W)	Net Weight (kg)	Liquid Line Connection Size (in)	Suction Line Connection Size (in)	Compressor MCC (A)	Compressor LRA (A)
KHM511PQL-EX	KCM511CAL-E510H	1016 X 440 X 800	2693	1/160W	70	3/8"	5/8"	9.5	54
KHM511PQL-BX	KCM511CAL-B310H	1016 X 440 X 800	2693	1/160W	70	3/8"	5/8"	4.5	20
KHM514PQL-EX	KCM514CAL-E510H	1016 X 440 X 800	2637	1/160W	74	3/8"	5/8"	13.5	72
KHM514PQL-BX	KCM514CAL-B310H	1016 X 440 X 800	2637	1/160W	74	3/8"	5/8"	6.1	28
KHM519PQL-EX	KCM519CAL-E510H	1016 X 440 X 800	2637	1/160W	82	3/8"	5/8"	17	85
KHM519PQL-BX	KCM519CAL-B310H	1016 X 440 X 800	2637	1/160W	82	3/8"	5/8"	7.3	41
KHM522PQL-EX	KCM522CAL-E314H	1016 X 440 X 800	2637	1/160W	93	3/8"	5/8"	8	45
KHJ513PQE-FX	KCJ513HAE-S420H	908 X 350 X 602	2072	1/59W	63	3/8"	1/2"	11.5	36
KHR522PQE-BX	CR22K6M-PF1-111DM	908 X 350 X 602	2072	1/59W	80	3/8"	1/2"	13.5	54
KHR522PQE-DX	CR22K6M-TFM-111DM	908 X 350 X 602	2072	1/59W	80	3/8"	1/2"	4.5	20
KHR530PQE-BX	CR30K6M-PF1-111DE	908 X 350 X 602	2072	1/59W	82	3/8"	5/8"	17.8	72
KHR530PQE-DX	CR30K6M-TFM-111DM	908 X 350 X 602	2072	1/59W	82	3/8"	5/8"	6.1	28
KHR536PQE-BX	CR36K6M-PFZ-121DM	1016 X 440 X 800	2637	1/160W	92	3/8"	5/8"	21.3	85
KHR536PQE-DX	CR36K6M-TFM-121DM	1016 X 440 X 800	2637	1/160W	92	3/8"	5/8"	7.3	41
KHR542PQE-DX	CR42K6M-TFM-101DM	1016 X 440 X 800	2637	1/160W	93	3/8"	5/8"	8	45
KHR553PQE-DX	CR53KQM-TFD-233DM	1030 X 432 X 1160	4000	2/106W	98	1/2"	5/8"	13.8	61
KHR562PQE-DX	CR62KQM-TFD-233DM	1030 X 432 X 1160	4000	2/106W	98	1/2"	7/8"	16	55
KHR572PQE-DX	CR72KQM-TFM-233DM	1030 X 432 X 1160	4000	2/106W	98	1/2"	7/8"	19.5	69

### Scroll

Model	Compressor	Dimensions (L X W X H) in mm	Air Flow (CFM)	No Of Fans/ Power Input (W)	Net Weight (kg)	Liquid Line Connection Size (in)	Suction Line Connection Size (in)	Compressor MCC (A)	Compressor LRA (A)
KHZ515PQL-EX	ZB15KQE-TFD-524	908 X 350 X 602	2072	1/59W	79	3/8"	5/8"	7	26
KHZ519PQL-EX	ZB19KQE-TFD-524	908 X 350 X 602	2072	1/59W	79	3/8"	5/8"	7	32
KHZ521PQL-EX	ZB21KQE-TFD-524	1016 X 440 X 800	2637	1/160W	95	3/8"	5/8"	10.3	40
KHZ526PQL-EX	ZB26KQE-TFD-524	1016 X 440 X 800	2637	1/160W	90	1/2"	5/8"	9	46
KHZ529PQL-EX	ZB29KQE-TFD-524	1016 X 440 X 800	2637	1/160W	100	1/2"	5/8"	11	50
KHZ538PQL-EX	ZB38KQE-TFD-524	1016 X 440 X 1172	4000	2/106W	130	1/2"	5/8"	14	65.5
KHZ545PQL-EX	ZB45KQE-TFD-524	1016 X 440 X 1172	4000	2/106W	140	1/2"	7/8"	14.2	74
KHZ548PQL-EX	ZB48KQE-TFD-524	1016 X 440 X 1172	4000	2/106W	140	1/2"	7/8"	19.1	101
KHZ558PQL-EX	ZB58KQE-TFD-551	1260 x 680 x 1020	5000	2/160W	150	5/8"	1 1/8"	23	95
KHZ566PQL-EX	ZB66KQE-TFD-551	1260 x 680 x 1020	5000	2/160W	152	5/8"	1 1/8"	24.5	111
KHZ576PQL-EX	ZB76KQE-TFD-551	1260 x 680 x 1020	5000	2/160W	152	5/8"	1 1/8"	28	118

## B. Milk Cooling

### Reciprocating

Model	Compressor	Dimensions (L X W X H) in mm	Air Flow (CFM)	No Of Fans/ Power Input (W)	Net Weight (kg)	Liquid Line Connection Size (in)	Suction Line Connection Size (in)	Compressor MCC (A)	Compressor LRA (A)
KHR522MQE-BX	CR22K6M-PF1-111DM	1016 X 440 X 800	2637	1/160W	93	3/8"	5/8"	13.5	54
KHR522MQE-EX	CR22K6M-TFM-111DM	1016 X 440 X 800	2637	1/160W	93	3/8"	5/8"	4.5	20
KHR530MQE-BX	CR30K6M-PF1-111DE	1016 X 440 X 800	2637	1/160W	98	3/8"	5/8"	17.8	72
KHR530MQE-EX	CR30K6M-TFM-111DM	1016 X 440 X 800	2637	1/160W	97	3/8"	5/8"	6.1	28
KHR536MQE-FX	CR36K6M-PFZ-121DM	1016 X 440 X 800	2637	1/160W	98	3/8"	5/8"	21.3	85
KHR536MQE-DX	CR36K6M-TFM-121DM	1016 X 440 X 800	2637	1/160W	98	3/8"	5/8"	7.3	41
KHR542MQE-FX	CR42K6M-PFZ-101DM	1016 X 440 X 800	2637	1/160W	98	3/8"	5/8"	24	104
KHR542MQE-DX	CR42K6M-TFM-101DM	1016 X 440 X 800	2637	1/160W	98	3/8"	5/8"	8	45
KHR553MQE-DX	CR53KQM-TFD-233DM	1030 X 432 X 1160	4000	2/106W	132	1/2"	5/8"	13.8	61
KHR562MQE-DX	CR62KQM-TFD-233DM	1030 X 432 X 1160	4000	2/106W	132	1/2"	7/8"	16	55

### Scroll

Model	Compressor	Dimensions (L X W X H) in mm	Air Flow (CFM)	No Of Fans/ Power Input (W)	Net Weight (kg)	Liquid Line Connection Size (in)	Suction Line Connection Size (in)	Compressor MCC (A)	Compressor LRA (A)
KHZ515MQE-FX	ZB15KQE-TFD-524	1016 X 440 X 800	2637	1/160W	80	3/8"	5/8"	12.8	58
KHZ519MQE-FX	ZB19KQE-PFJ-524	1016 X 440 X 800	2637	1/160W	80	3/8"	5/8"	12.4	61
KHZ515MQE-EX	ZB15KQE-TFD-524	1016 X 440 X 800	2637	1/160W	91	3/8"	5/8"	7	26
KHZ521MQE-FX	ZB21KQE-PFJ-524	1016 X 440 X 800	2637	1/160W	95	3/8"	5/8"	21.5	82
KHZ521MQE-EX	ZB21KQE-TFD-524	1016 X 440 X 800	2637	1/160W	95	3/8"	5/8"	10.3	40
KHZ526MQE-EX	ZB26KQE-TFD-524	1016 X 440 X 800	2637	1/160W	97	3/8"	5/8"	9	46
KHZ529MQE-FX	ZB29KQE-TFD-524	1032 X 440 X 1175	4000	2/106	106	1/2"	5/8"	20	113
KHZ538MQE-EX	ZB38KQE-TFD-524	1032 X 440 X 1175	4000	2/106	106	1/2"	5/8"	14	65.5
KHZ545MQE-EX	ZB45KQE-TFD-524	1032 X 440 X 1175	5000	2/160	110	1/2"	7/8"	16.8	74
KHZ558MQE-EX	ZB58KQE-TFD-551	1260 X 680 X 1020	5000	2/160	120	5/8"	1 1/8"	17.2	95
KHZ566MQE-EX	ZB66KQE-TFD-551	1260 X 680 X 1020	5000	2/160	120	5/8"	1 1/8"	16.3	111

## C. Low Temperature Applications

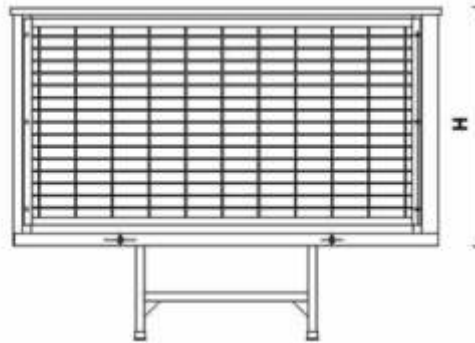
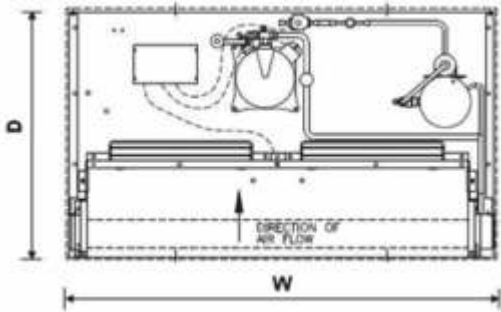
### Reciprocating

Model	Compressor	Dimensions (L X W X H) in mm	Air Flow (CFM)	No Of Fans/ Power Input (W)	Net Weight (kg)	Liquid Line Connection Size (in)	Suction Line Connection Size (in)	Compressor MCC (A)	Compressor LRA (A)
KHM475LQL-CX	KCM475LAL-C310H	908 X 350 X 602	1767	1/59W	84	3/8"	5/8"	13	72
KHM475LQL-EX	KCM475LAL-E510H	908 X 350 X 602	1767	1/59W	84	3/8"	5/8"	6.1	28
KHM512LQL-EX	KCM512LAL-E510H	1016 X 440 X 800	2630	1/160	90	3/8"	5/8"	8	45
KHM515LQL-EX	KCM515LAL-E510H	1016 X 440 X 800	2630	1/160	90	3/8"	5/8"	8	45
KHM517LQL-EX	KCM517LAL-E510H	1016 X 440 X 1172	4000	2/106	132	1/2"	5/8"	14.2	61
KHM520LQL-EX	KCM520LAL-E510H	1016 X 440 X 1172	4000	2/106	132	1/2"	7/8"	16	55

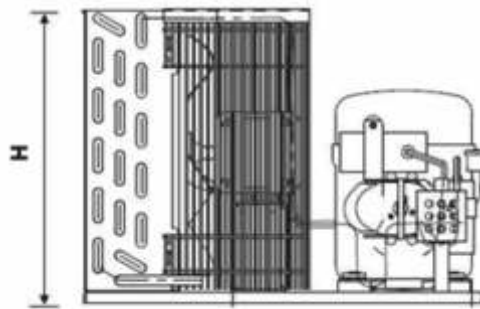
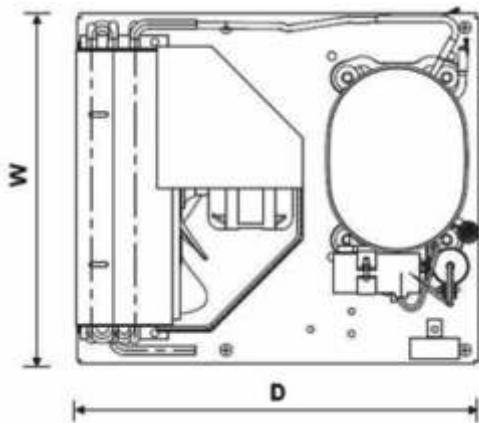
# Dimensional Drawings

## Indoor Type CDUs

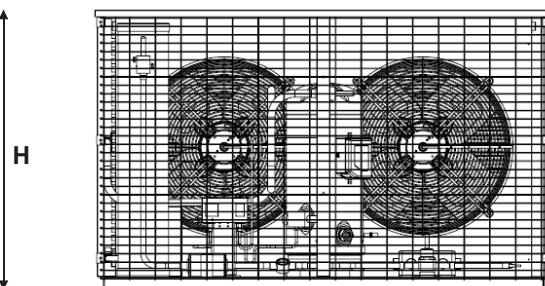
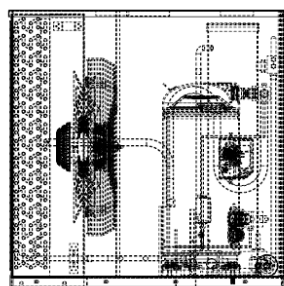
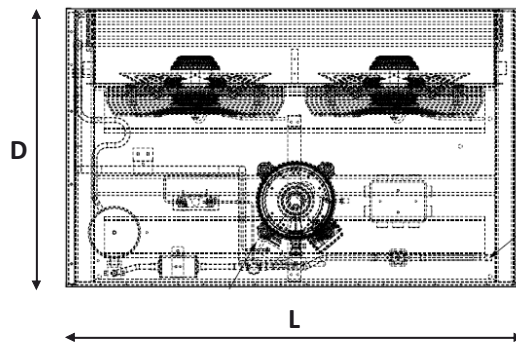
### Twin Fan IHP Models (KHR572MAE, KHZ548MAE)



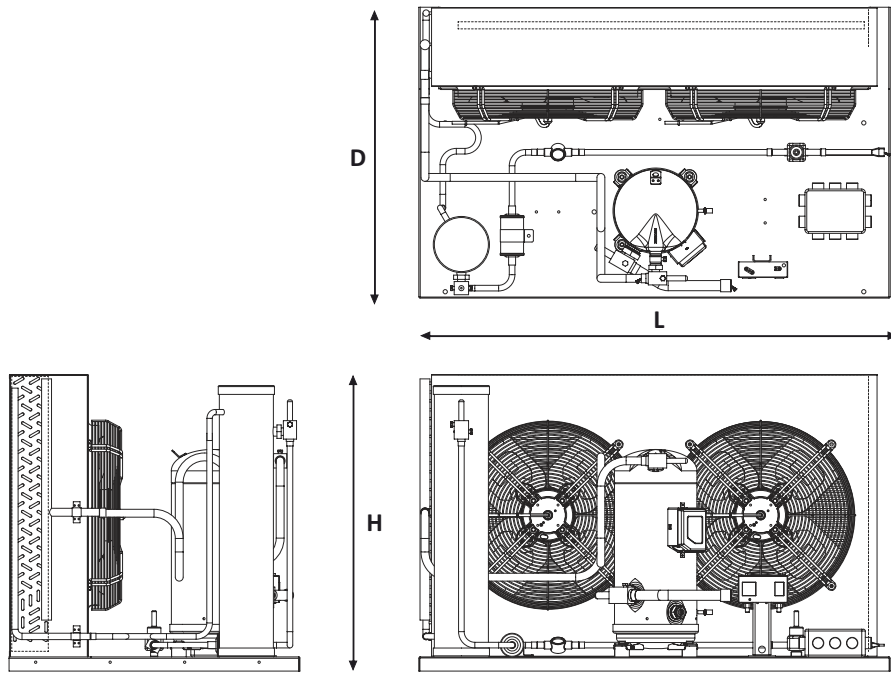
### Single Fan FHP Models



### KHZ595 Models Only

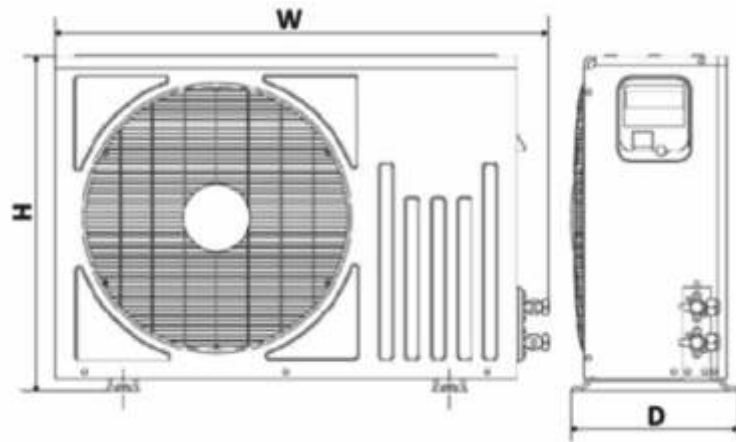


## KHZ611 Model

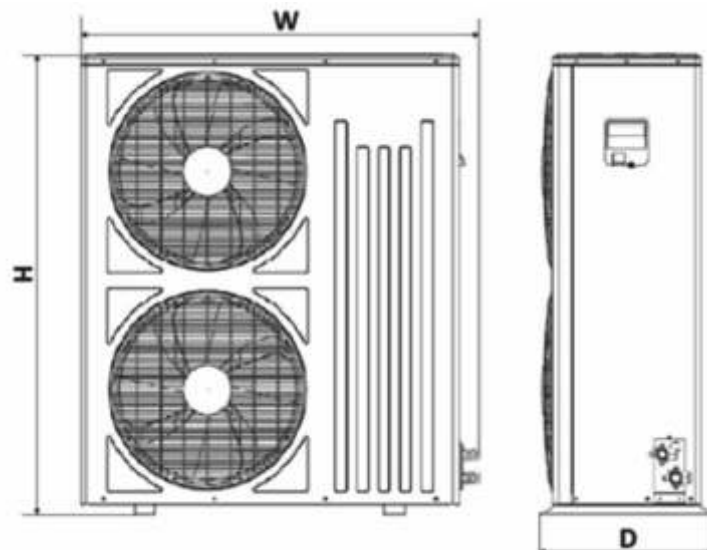


## Outdoor Type CDUs

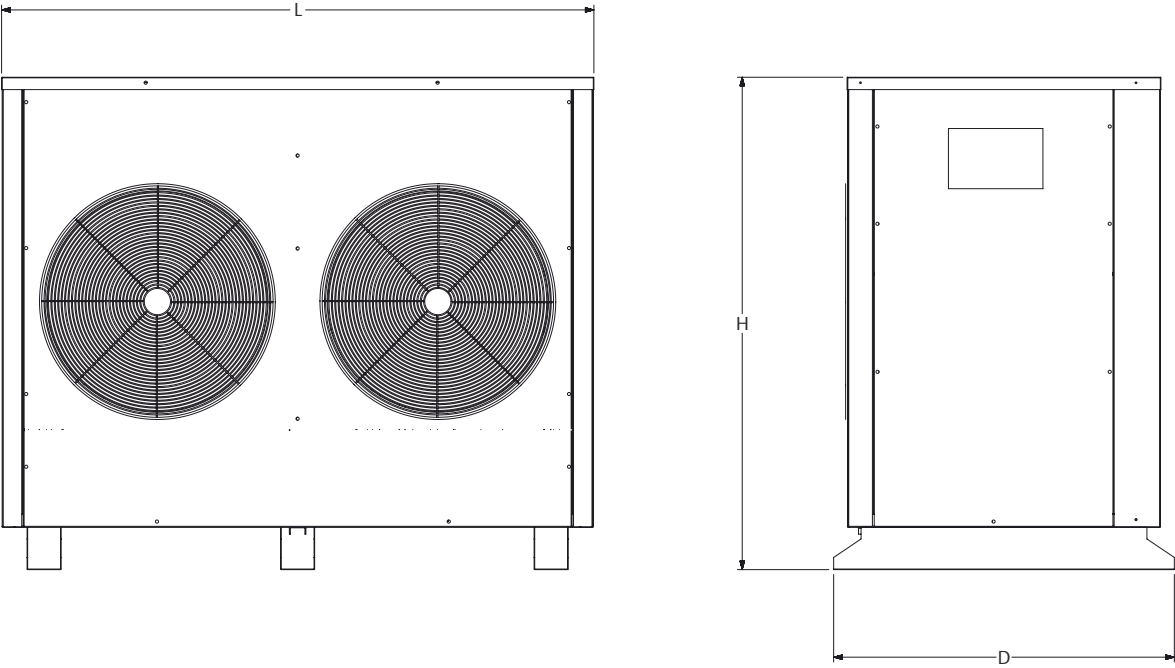
### Single Fan Models



### Vertical Double Fan Models



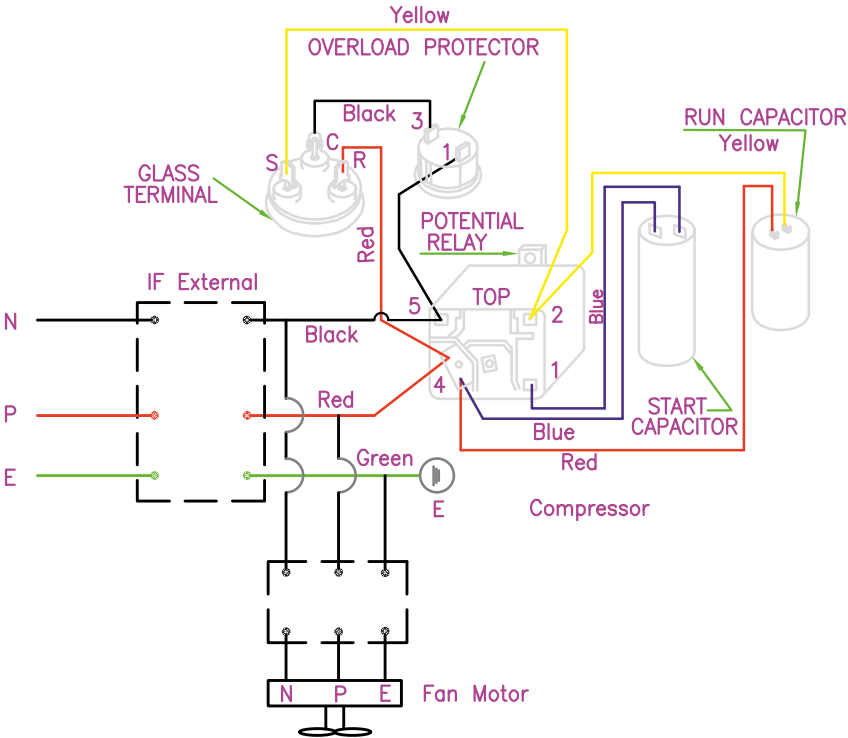
# Horizontal Double Fan Models (KHZ558, KHZ566, KHZ576 Models Only)



## Wiring Diagrams

### Fractional Horse Power Condensing Unit

Capacitor Start Capacitor Run (CSCR)







# Chiller Cold Room

Room Temperature: +4 °C

Refrigerant:R22

External Room Size m (ft)	External Volume m <sup>3</sup> (ft <sup>3</sup> )	Cooling Load kW	India Built Recip CDU	
			Model	Capacity kW
1.8*3.0*2.4 (6*10*8)	13.6 (480)	2.2	KHJ513PQE	2.4
2.4*3.7*2.4 (8*12*8)	21.8 (768)	3.0	KHR522PQE	3.5
3.0*3.7*2.4 (10*12*8)	27.2 (960)	3.8	KHR522PQE	3.5
4.3*4.3*2.4 (14*14*8)	44.4 (1568)	5.1	KHR530PQE	4.6
4.3*4.9*2.4 (14*16*8)	50.8 (1792)	6.0	KHR536PQE	5.8
4.9*4.9*2.4 (16*16*8)	58.0 (2048)	7.1	KHR542PQE	6.6
4.9*6.1*2.4 (16*20*8)	72.5 (2560)	7.7	KHR553PQE	9.4
6.1*6.1*2.4 (20*20*8)	90.7 (3200)	9.1	KHR553PQE	9.4
6.1*7.3*2.4 (20*24*8)	108.8 (3840)	10.6	KHR562PQE	10.8
6.1*7.9*2.4 (20*26*8)	117.8 (4160)	11.5	KHR572PQE	11.7



Refrigerant:R404A

External Room Size m (ft)	External Volume m <sup>3</sup> (ft <sup>3</sup> )	Cooling Load kW	India Built Recip CDU	
			Model	Capacity kW
1.8*3.0*2.4 (6*10*8)	13.6 (480)	2.2	KFJ461PQL	2.1
2.4*3.7*2.4 (8*12*8)	21.8 (768)	3.0	KHM511PQL	3.7
3.0*3.7*2.4 (10*12*8)	27.2 (960)	3.8	KHM511PQL	3.7
4.3*4.3*2.4 (14*14*8)	44.4 (1568)	5.1	KHM514PQL	5.0
4.3*4.9*2.4 (14*16*8)	50.8 (1792)	6.0	KHM519PQL	6.0
4.9*4.9*2.4 (16*16*8)	58.0 (2048)	7.1	KHM522PQL	6.8
4.9*6.1*2.4 (16*20*8)	72.5 (2560)	7.7	KHM511PQL * 2	3.7 * 2
6.1*6.1*2.4 (20*20*8)	90.7 (3200)	9.1	KHM514PQL * 2	5.0 * 2
6.1*7.9*2.4 (20*26*8)	117.8 (4160)	11.5	KHM519PQL * 2	6.0 * 2
6.1*9.8*2.4 (20*32*8)	145.0 (5120)	13.8	KHM522PQL * 2	6.8 * 2

# Refrigerant: R404A

External Room Size m (ft)	External Volume m <sup>3</sup> (ft <sup>3</sup> )	Cooling Load kW	India Built Scroll CDU	
			Model	Capacity kW
2.4*3.7*2.4 (8*12*8)	21.8 (768)	3.0	KHZ515PQL	3.8
3.0*3.7*2.4 (10*12*8)	27.2 (960)	3.8	KHZ515PQL	3.8
4.3*4.3*2.4 (14*14*8)	44.4 (1568)	5.1	KHZ519PQL	4.9
4.3*4.9*2.4 (14*16*8)	50.8 (1792)	6.0	KHZ521PQL	6.2
4.9*4.9*2.4 (16*16*8)	58.0 (2048)	7.1	KHZ526PQL	7.0
4.9*6.1*2.4 (16*20*8)	72.5 (2560)	7.7	KHZ529PQL	8.2
6.1*6.1*2.4 (20*20*8)	90.7 (3200)	9.1	KHZ538PQL	10.3
6.1*7.3*2.4 (20*24*8)	108.8 (3840)	10.4	KHZ538PQL	10.3
6.1*7.9*2.4 (20*26*8)	117.8 (4160)	11.5	KHZ545PQL	12.0
6.1*9.8*2.4 (20*32*8)	145.0 (5120)	13.8	KHZ548PQL	13.6
7.3*7.3*3.6 (24*24*12)	191.8 (6912)	17.3	KHZ566PQL	17.8
7.3*8.4*3.6 (24*28*12)	220.7 (8064)	19.9	KHZ576PQL	20.7
7.3*10.4*3.6 (24*34*12)	273.3 (9792)	24.5	KHZ595PAL	24.0
10.4*12.2*3.6 (34*40*12)	456.7 (16320)	31.60	KHZ611PAL	31.90



Notes:

1. Design Is Based On 43°C Ambient Condition
2. 80mm PUF Panels Considered For Walls & Ceiling
3. Fresh Product Entering Temperature +30°C Is Considered
4. Product Turnover 10% of Storage Capacity Is Considered
5. Product Pull Down Time 12 Hour Is Considered
6. Safety Factor 10% Is Considered
7. Capacity Is Based On 20 Hour Compressor Run Time
8. Selection Is Based On 5K Evaporator TD To Maintain 90% RH
9. Evaporator Selection Capacity Is Equivalent To CDU Capacity

Softy Machines	
Case	Model
15	KHM511PQL
20	KHM514PQL
30	KHM519PQL
40	KHM522PQL



## Bulk Milk Chiller

Daily Milk Load	India Built Recip & Scroll CDUs	
	R22	R404A
500 Liters	KHR522MQE-BX/DX	KHZ515MQL-BX/DX
1000 Liters	KHR536MQE-BX/DX	KHZ521MQL-BX/DX
2000 Liters	KHR536MQE-FX/DX* 2 Nos	KHZ521MQL-FX/DX* 2Nos
3000 Liters	KHR553MQE-DX* 2Nos	KHZ538MQL-DX* 2Nos
4000 Liters	KHR572MAE-DX* 2Nos	KHZ545MQL-DX* 2Nos
5000 Liters	---	KHZ548MAL-DX* 2Nos



Notes:

1. Selection Is Based On -1°C Evaporating Temp. & 38°C Ambient Condition As Per IS 5708
2. Power Supply - BX/FX: 1Ph, 50Hz & DX/EX: 3Ph, 50Hz
3. Selection Is Based On 5K Evaporator TD
4. Evaporator Selection Capacity Is Equivalent To CDU Capacity
5. Air-Cooled CDU Built Using Hermetic Reciprocating & Scroll Type Compressor.

## Freezer Cold Room

Room Temperature: -20 °C

Refrigerant: R404A

External Room Size m (ft)	External Volume m <sup>3</sup> (ft <sup>3</sup> )	Cooling Load kW	KHM CDU	
			Model	Capacity kW
1.8*1.2*2.4 (6*4*8)	5.2 (192)	1.5	KHM475LQL*2	1.6
2.4*3.0*2.4 (8*10*8)	18.1 (640)	2.7	KHM512LQL*2	2.6
3.0*3.7*2.4 (10*12*8)	27.2 (960)	2.9	KHM515LQL*2	3.2
4.3*4.9*2.4 (14*16*8)	50.8 (1792)	4.8	KHM517LQL*2	4.8
4.3*6.1*2.4 (14*20*8)	63.5 (2240)	5.8	KHM520LQL*2	5.3

Notes:

1. Design Is Based On 43°C Ambient Condition
2. 100mm PUF Panels Considered For Walls & Ceiling
3. Frozen Product Entering Temperature -15°C Is Considered
4. Product Turnover 100% Of Storage Capacity Is Considered
5. Product Pull Down Time 12 Hour Is Considered
6. Safety Factor 10% Is Considered
7. Capacity Is Based On 18 Hour Compressor Run Time
8. Selection Is Based On 5K Evaporator TD
9. Evaporator Selection Capacity Is Equivalent To CDU Capacity
10. Air-Cooled CDU Built Using Hermetic Reciprocating Type Compressor.



### WATER CHILLER (15 ° C Inlet & 10° C Outlet)

Flow Rate ( Ltr/ Hr)	R22	R404A
	Model Name	Model Name
600	KHJ513PXX	-
800	KHR522PXX /MXX	KHM511PQL
1000	KHR530PXX /MXX	KHM514PQL
1400	KHR536PXX /MXX	KHM519PQL
1600	KHR542PXX /MXX	-
2000	KHR553PXX /MXX	-
2400	KHR562PXX /MXX	-
2800	KHR572PBE /MXX	-



### Deep Freezer

Hard Top (Ltrs)	Glass Top (Ltrs)	Model
300	200	KFN372LAG-BX
400	300	KFN396LAG-BX
500	400	KFN415LAG-BX
800	600	KFN396LAG-BX x 2Nos
1000	800	KFN415LAG-BX x 2Nos



### Bottle Cooler

Capacity (Ltr)	R22	R134a
100-120	-	KFE419HAG-BX
220-250	-	KFE432HAG-BX
260-350	-	KFE444HAG-BX
350-500	KFE461HAE-BX	KFN463HAG-BX / KFJ467HAG-BX
600-800	KFJ511HAE-BX	KFJ498HAG-CX



### Water cooler

Capacity (Ltr)	R22	R134a
20	-	KFE419HAG-BX
40	-	KFE444HAG-BX
60	KFE461HAE-BX	KFN463HAG-BX / KFJ467HAG-BX
100	KFJ511HAE-BX	KFJ498HAG-CX



### Visi Cooler

Case	Model
2(110 Ltr)	KFE419HAG-BX
7(250 Ltr)	KFE432HAG-BX
9(400 Ltr)	KFE444HAG-BX
12(650 Ltr)	KFN463HAG-BX



Based on a return gas temperature of 18.3°C. Power includes condenser fan.

Note: These are preliminary guidelines. The actual compressor selection may differ from the guidelines. Please check the system details before selecting compressor model.

## Disclaimer

Technical data given was correct at the time of printing. Updates may occur, and should you need confirmation of a specific value, please contact Emerson stating clearly the information required. Emerson cannot be held responsible for errors in capacities, dimensions, etc., stated herein. Products, specifications and data in this literature are subject to change without notice. The information given herein is based on data and tests which Emerson believes to be reliable and which are in accordance with today's technical knowledge. It is intended for use by persons having the appropriate technical knowledge and skill, at their own discretion and risk. The products given here are designed and adapted for stationary applications only. For transport applications, Please consult with your Emerson representative.

The components listed in this catalogue are not released for use with caustic, poisonous or flammable substances. Emerson cannot be held responsible for any damage caused by using these substances.

## SALES OFFICES:

### Gurgaon

Emerson Climate Technologies (India) Private Ltd.  
18<sup>th</sup> Floor, Tower B, Building No. 5,  
Epitome, DLF Cyber City,  
Phase - III, Gurgaon 120 002  
Tel: (91-124) 489 4500

### Mumbai

Emerson Climate Technologies (India) Pvt. Ltd.  
Delphi B-Wing, 601-602,  
6<sup>th</sup> Floor, Central Avenue,  
Hiranandani Business Park, Powai,  
Mumbai- 400076  
Tel: (91-22) 6662 0566

### Secunderabad

Emerson Climate Technologies (India) Pvt. Ltd.  
C/o Maruthi Corporate Point,  
Swapnalok Complex 2<sup>nd</sup> Floor, Block -B ,  
Sarojini Devi Road, Secunderabad-500003  
Tel: (91-40) 3315 4018

## WAREHOUSES:

### Ahmedabad

Emerson Climate Technologies (India) Pvt. Ltd.  
C/o Agility Logistics Pvt. Ltd.,  
Plot No. 796, Corporate Warehouse Hub,  
Opp. Hotel ALFA, National Highway No. 8, Aslali,  
Ahmedabad-382 427  
Tel: 079-30924722

### Bengaluru

Emerson Climate Technologies (India) Pvt. Ltd.  
C/o Agility Logistics Pvt. Ltd.,  
Shed No. 8, Survey No. 31,  
18th KM old Madras Road,  
Virganagar, Bengaluru-560 049  
Tel: +919535544086

### Chandigarh

Emerson Climate Technologies (India) Pvt. Ltd.  
C/o Agility Logistics Pvt. Ltd.,  
Plot No. 72, Industrial Area, Phase-I,  
Chandigarh-160002  
Tel: +919876716788

### Chennai

Emerson Climate Technologies (India) Pvt. Ltd.  
C/o Agility Logistics Pvt. Ltd.,  
Kanishk Warehouse, Sr. No. 204,  
Vijayanallur Village Road, Nallur Village,  
Cholovaram Po, Ponneri Tk, Chennai-600067.  
Tel: (91-44) 325 777936

### Gurgaon

Emerson Climate Technologies (India) Pvt. Ltd.  
C/o Agility Logistics Pvt. Ltd.,  
Khasra No.9/7/2,7/3 Min,8/1 Min, 8/2, 8/3,  
Off. Revenue Estate Of Village Gadoli Khurd,  
Sector-37 B, Pataudi Road,  
Gadoli Khurd (Gurgaon)-122 001  
Tel: +919013774070

### Howrah

Emerson Climate Technologies (India) Pvt. Ltd.  
C/o Agility Logistics Pvt. Ltd.,  
Sankrail Industrial PARK,  
Mauza-Kandua, Bhagabatipur,  
Po-Kandua Howrah-711 302  
Tel: Tel: +919093970556

### Lucknow

Emerson Climate Technologies (India) Pvt. Ltd.  
C/o Agility Logistics Pvt. Ltd.,  
C-522, Maya Bhagwan Complex,  
Near Shaheed Path Road, Transport Nagar,  
Lucknow-226 008  
Tel: +919044225771

### Mumbai

Emerson Climate Technologies (India) Pvt. Ltd.  
Unit No. 59, Ground Floor, 'AA' Wing,  
Building No.1, at Kailas Industrial complex,  
CTS No. 1/7 & 1/11, Veer Savarkar Marg,  
Near Hiranandani Park,  
Vikhroli (West), Mumbai-400 079  
Tel: (91-22) 4270 8001

### New Delhi

Emerson Climate Technologies (India) Pvt. Ltd.  
56, Rama Road Industrial Area,  
Nr. Mahindra Showroom,  
New Delhi-110 015  
Tel: (91-11) 45751000

### Secunderabad

Emerson Climate Technologies (India) Pvt. Ltd.  
C/o Agility Logistics Pvt. Ltd, # 8-122,  
Devaryamjal Road, Kompally, Shameerpet Mandal,  
Ranga Reddy Dist.,  
Secunderabad-500014,  
Tel: (91) 9247000174/9000649871

## COLD CHAIN CENTERS

### Chakan

Emerson Climate Technologies (India) Pvt. Ltd.  
Plot No. G-8/3, Block M.I.D.C.  
Chakan Industrial Area, Phase - III,  
Taluka : Khed. Dist : Pune - 410 501  
Tel: (91- 2135) 625300

### Gurgaon

Emerson Climate Technologies (India) Pvt. Ltd.  
Plot No. 127,  
Udyog Vihar, Phase IV,  
Gurgaon - 122 015, Haryana  
Tel: (91 124) 2866600

## PLANT

Atit Pali Road, Atit - 415 519, Maharashtra.  
Tel: (91-2162) 224200, Fax: (91-2162) 262069

## REGISTERED HEAD OFFICE

Emerson Climate Technologies (India) Pvt. Ltd.  
Plot No. 23, Rajiv Gandhi Infotech Park, Phase - II, Hinjewadi, Pune-411 057  
Tel: (91-20) 4200 2000, Fax: (91-20) 4200 2099

[www.EmersonClimate.com/India](http://www.EmersonClimate.com/India)

☎ 1800-209-1700 ✉ [ClimateIndia@Emerson.com](mailto:ClimateIndia@Emerson.com)

Emerson and Copeland are trademarks of Emerson Electric Co. or one of its affiliated companies.  
©2018 Emerson Climate Technologies (India) Pvt. Limited. All rights reserved.

